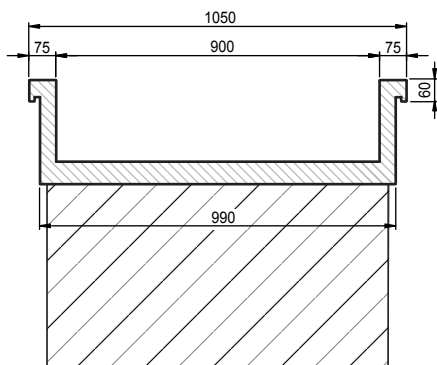
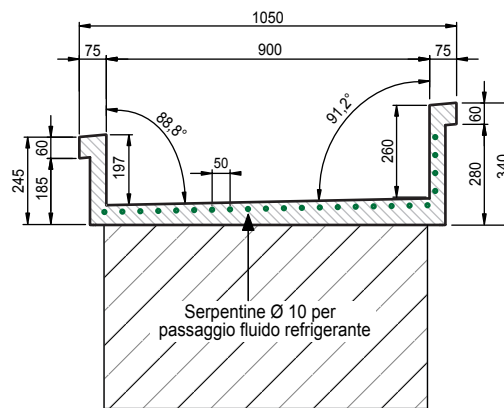


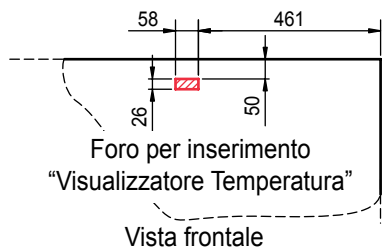
Vista laterale - VM 105 PV



Vasca - Sez. A:A

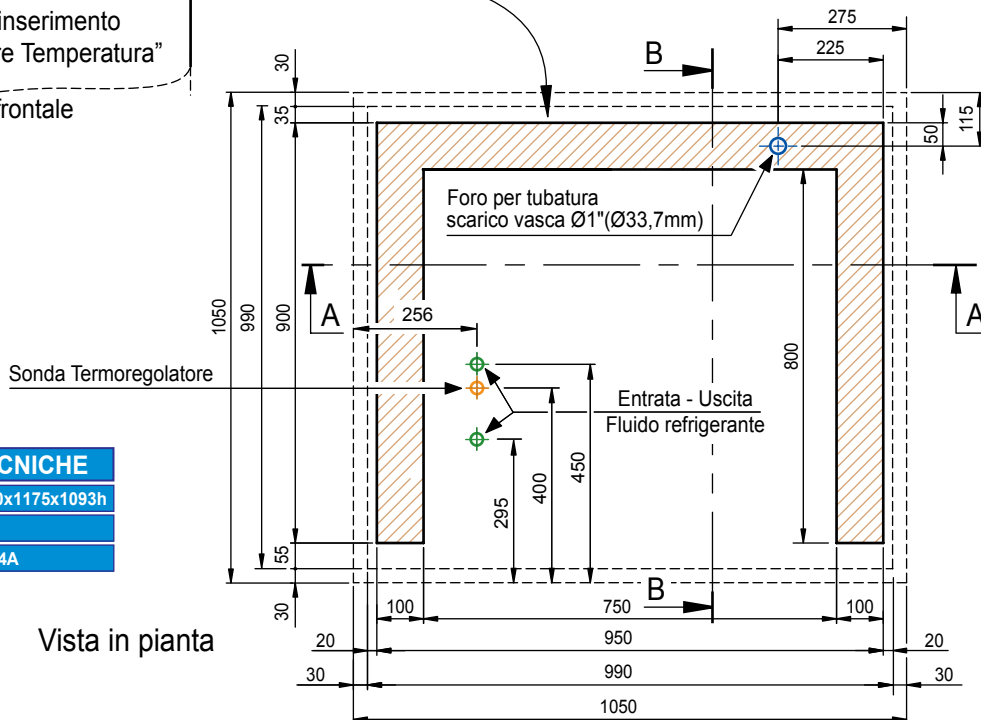


Vasca - Sez. B:B



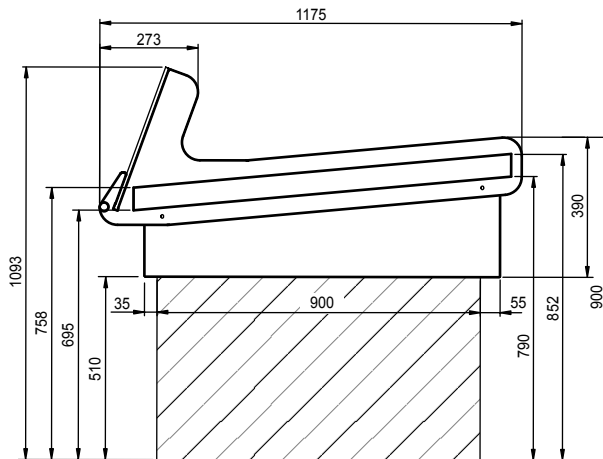
Foro per inserimento
 "Visualizzatore Temperatura"

Vista frontale

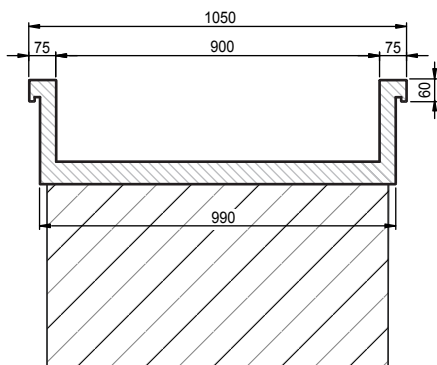


Vista in pianta

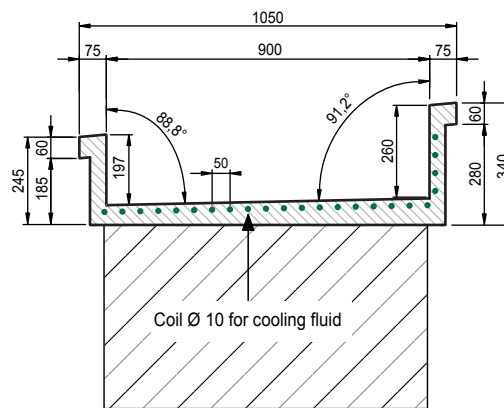
CARATTERISTICHE TECNICHE	
Dimensioni d'ingombro (mm)	1050x1175x1093h
Suprficie esposizione (m ²)	0,81
Gas refrigerante	R404A



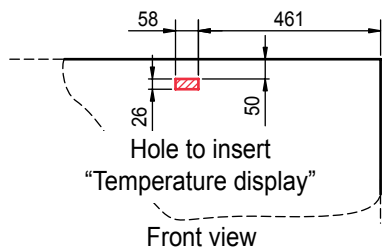
Lateral view - VM 105 PV



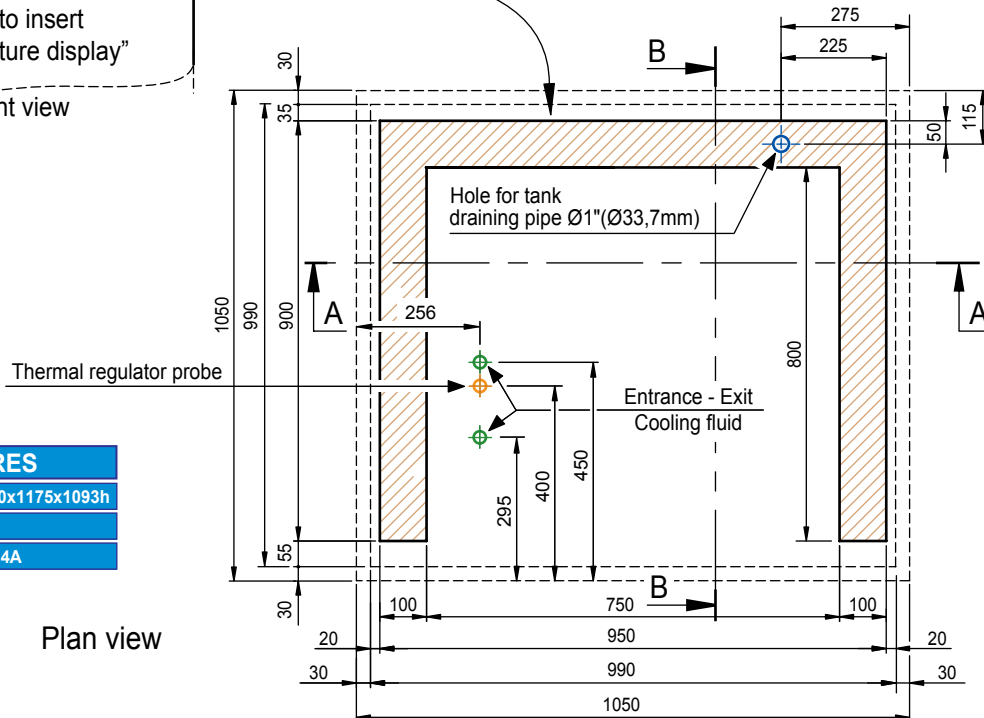
Tank - Section A:A



Tank - Section B:B



Front view



Plan view

TECHNICAL FEATURES	
Overall dimensions (mm)	1050x1175x1093h
Surface exposure (m ²)	0,81
Cooling gas	R404A

MUSSEL TANK 690 - VM 105 PV

Tank made of AISI 316 scotch-brite stainless steel with 31 mm drainage hole (3/4") supplied with internal high density polyurethane foam insulation complete with removable perforated false bottom made of stainless steel. The tank is supplied with electronic digital thermometer, with a temperature display positioned on the public side. The protection on the public side is characterized by tempered glass and by shockproof bar made of stainless steel. At the sides the tank is protected by two AISI 316 stainless steel shaped edges.

Issued:	30/05/2008
Update:	0
Sheet	1 of 1