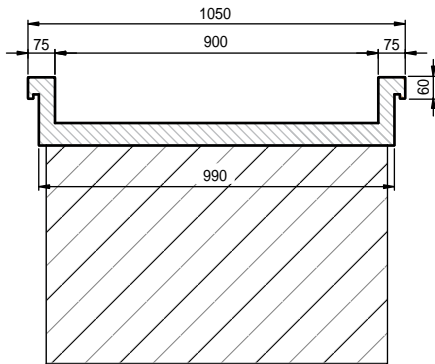
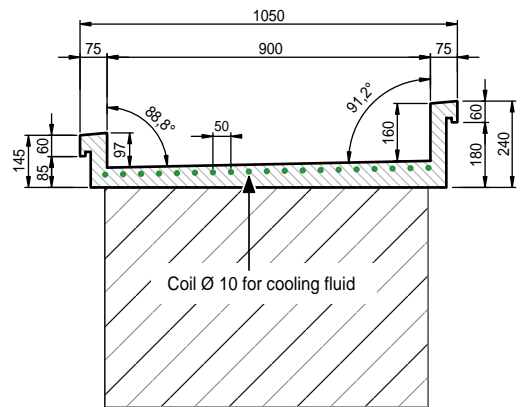


Lateral view - VP 105 PV

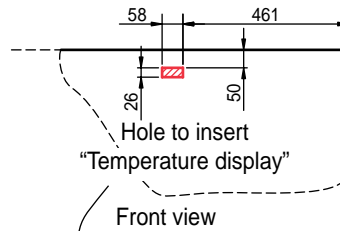


Tank - Section A:A

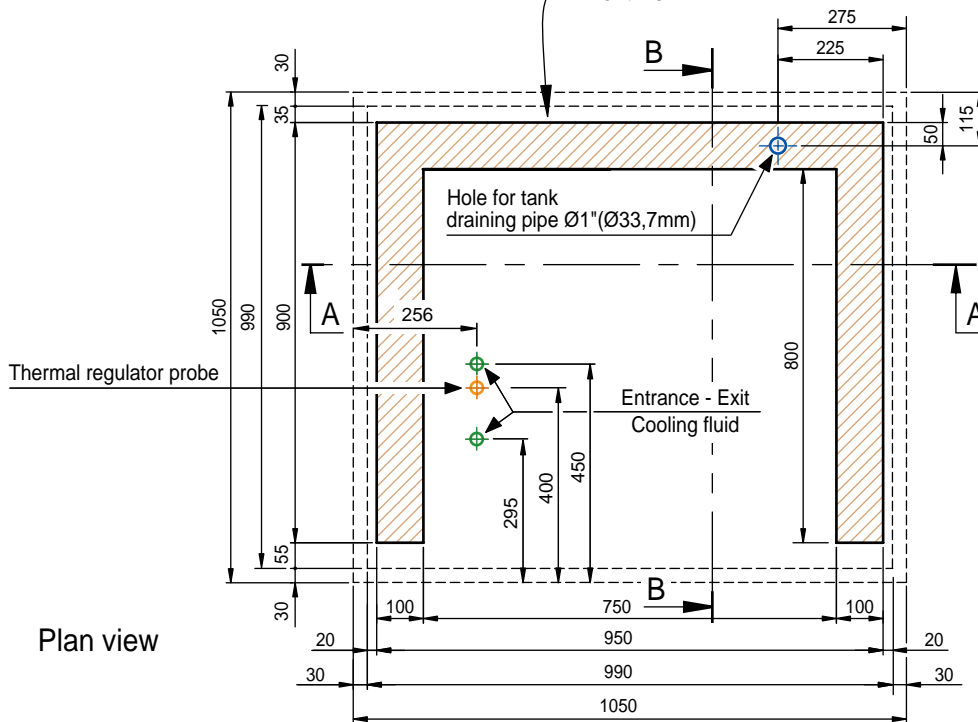


Tank - Section B:B

TECHNICAL FEATURES	
Overall dimensions (mm)	1050x1175x1093h
Surface exposure (m ²)	0,81
Cooling gas	R404A



Front view



Plan view