

BEARING STRUCTURES

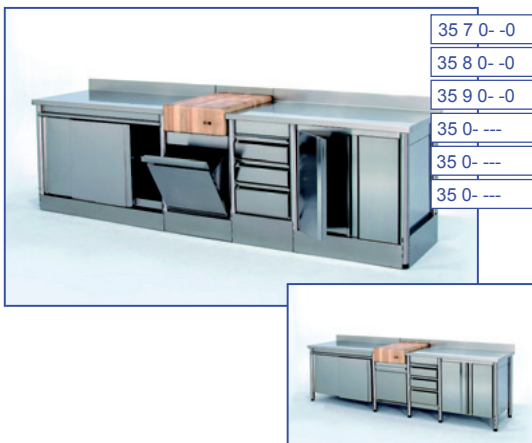


35 1 --0	Open compartment – mm. LxDx860h
35 2 --0	Shutting doors – mm. LxDx860h
35 3 --0	Sliding doors – mm. LxDx860h
35 4 --0	Lower shelf – mm. LxDx860h
35 5 --0	Tilting hopper – mm. LxDx860h
35 6 04 -0	Chest of drawers – mm. 490xDx860h



Elements used to create customised magnum rear counters, designed entirely in AISI 304 scotch-brite satin stainless steel with 60 mm cylindrical legs and adjustable foot.
The structures are available in three different depths and a range of widths for different types: open with a middle shelf and closed back and sides, with sliding or hinged doors, open with a lower shelf, with tilting bin hopper, or with 3 drawers.

CHOPPING BLOCKS AND CORNERS

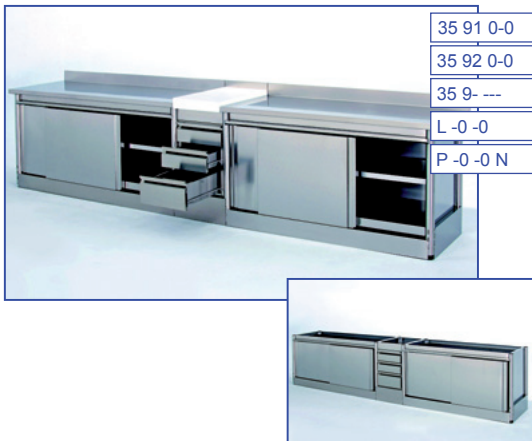


35 7 0- -0	Shutting doors – mm. LxDx860h
35 8 0- -0	Lower shelf – mm. LxDx860h
35 9 0- -0	Tilting hopper – mm. LxDx860h
35 0- ---	Rounded off inner corner – mm. LxDx860h
35 0- ---	Inner square corner – LxDx860h
35 0- ---	Rounded off outside corner – LxDx860h



Elements used to create customised magnum rear counters, designed entirely in AISI 304 scotch-brite satin stainless steel with 60 mm cylindrical legs and adjustable foot.
The structures come in a range of widths and with lowered sides to house chopping blocks. Several different types are available: with hinged doors, open with a lower shelf, or with a tilting bin hopper.
The elements used to construct corners – both for open structures or those with doors with a lower shelf - are available for every depth and with three different types of layout.

TOPS AND FINISHINGS

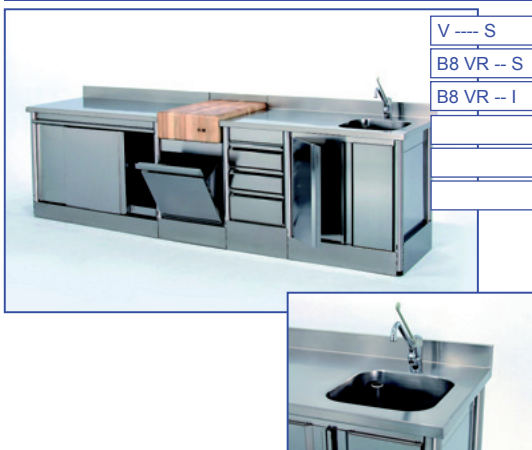


35 91 0-0	Normal stainless steel top – mm. LxDx40
35 92 0-0	Stainless steel top with splashback – mm. LxDx40+100h
35 9- ---	Corner stainless steel top – mm. LxDx40
L -0 -0	Wooden chopping block – mm. LxDx200h
P -0 -0 N	White polyethylene chopping block – mm. LxDx80h



Magnum back counters can be completed with a variety of different tops. We offer a satin, 1.0 mm thick AISI 304 scotch-brite stainless steel top, reinforced internally with a wood panel and with a ribbed, drip-proof lower border. Furthermore, we also have a wide range of acacia and polyurethane chopping blocks.
In case of a footboard, these can be fitted with a removable, stainless steel lower locking system, slotted into two slots created directly in the legs.

ACCESSORIES AND SPECIAL WORKS



V ---- S	Welded square basin – mm. LxDxH
B8 VR -- S	Welded round basin – mm. Ø x170h
B8 VR -- I	Niche round basin – mm. Ø x170h
	Bottom snap-on flounce – mm. Lx60x210h
	Lifted splashback – mm. Lx15x100h
	Liquid-stopping edge



Accessories such as chests of drawers, knife blocks, lower slotted edges, splash-back, fitted basins and more, in addition to a number of special works such as liquid-tight edges and integral splash-back or the application of square or round welded basins on stainless steel tops can be provided.
All these are supplied to meet the need for customised products that our designer has seen when creating a rear counter that has to play both a functional and an aesthetic rôle.